

# 800 Series Low-Profile Plug-in Smoke/Heat Detectors



## Models Available

**882 Photoelectric Detector  
885 Heat Detector**

## General Description

System Sensor's 800 series detectors are 2-wire conventional profile plug-in detectors aimed to meet the performance criteria designated by UL. The design for these detectors emphasizes economical and highly reliable. A LED will latch on when the detector is in alarm to provide a local alarm signal. The (-) IN and (-) OUT terminals are short circuited inside the detectors. When the detector is mounted, it will continue the wire to the next device or EOL resistor. When it is removed, the wire will be open for wiring supervision.

The new model 882, a 2-wire conventional photoelectric smoke detector, that uses a state of the art optical sensing chamber, has a remote LED connecting feature. This detector is designed to provide an open area protection and to be used with compatible UL listed panels.

The model 885, a 2-wire conventional fixed temperature heat detector, is also designed to provide an open area protection and to be used with compatible UL listed panels.

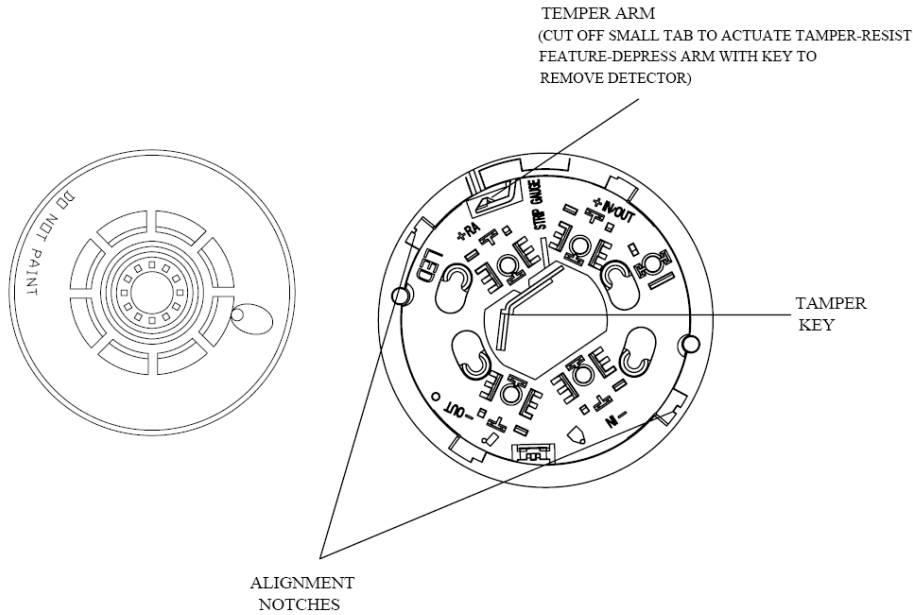
## Specifications

Diameter:	10.2 cm (4")
Height(including base):	4.8 cm (1.8") for Heat 5.0cm(2.0") for Photoelectric
Operating Temperature Range:	0~38°C (32°F to 100°F) for Heat 0~49°C (32°F to 120°F) for Photoelectric
Operating Humidity Range:	10% to 93%Relative Humidity, Non-condensing
Max. Air Velocity:	20m/s ( Heat only )
Latching Alarm:	Reset by momentary power interruption
Sensitivity:	63°C (145.4°F) Fixed ( Heat only )
Operating Voltage:	8.5~30 VDC for Heat 8.5~35 VDC for Photoelectric
Standby Current:	≤50μA for Heat ≤90μA for Photoelectric
Alarm Current:	Min. : 2 mA for Heat ; 10mA for Photoelectric Max. : 80 mA for Heat ; 130mA for Photoelectric

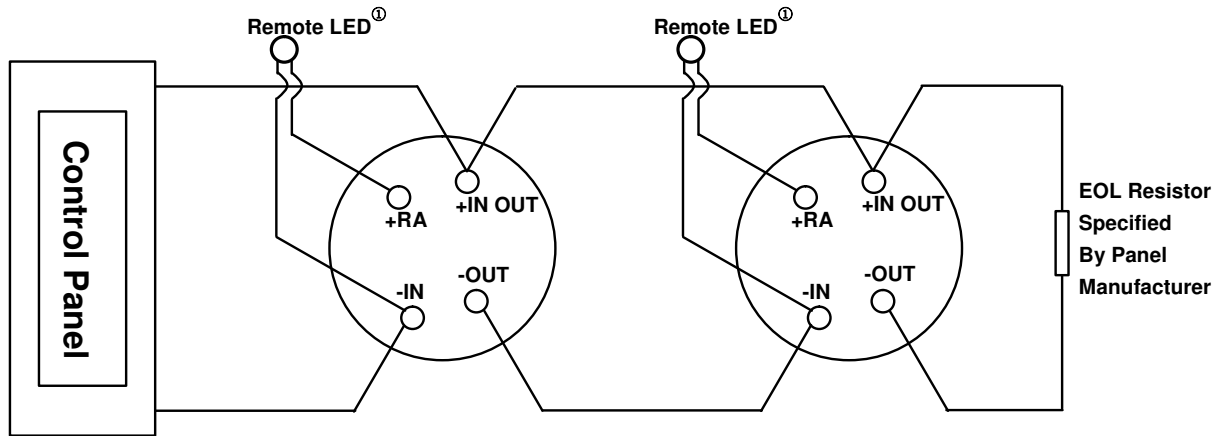
## Agency Listing



# Mounting Bracket for 800 Series Detector



# Wiring Diagram For 800 Series Detector



Note:

- ① For 882: If Remote LED is not used, +RA terminal should be free and polarity of these terminals may be reversed.  
For 885: +RA terminal should be free and polarity of these terminals may be reversed.

# Ordering information

Detector	Product Description	Photo	Thermal	Wiring	Alarm Current
882	Photoelectronic Detector	Yes	No	2-Wire	10mA~130mA
885	Heat Detector	No	Yes	2-Wire	2mA~80mA
B801	Detector Base	NA	NA	NA	
B801RA	Detector Base	NA	NA	NA	



System Sensor Headquarters  
3825 Ohio Avenue  
St. Charles, IL 60174  
Ph: 630-377-6580  
Fx: 630-377-6495  
Free Phone: 800-736-7672  
Web: www.systemsensor.com

System Sensor China  
28 Tuan Jie South Road,  
Hi-Tech Development Zone  
Xi'an, 710075, China  
Ph: +86 29 85387800  
Fx: +86 29 88895930  
Web: www.systemsensor.com.cn

System Sensor Canada  
Ph: 905-812-0767  
Fx: 905-812-0771

System Sensor Europe  
Ph: 44 (0) 1527 406700  
Fx: 44 (0) 1527 406699

System Sensor Italy  
Ph: 39 040 949 0111  
Fx: 39 040 382 137

System Sensor Mexico  
Ph: 54 11 4324-1909  
Fx: 54 11 4324-5999

System Sensor Far East Ltd  
Ph: 852 21919003  
Fx: 852 27366580

System Sensor Singapore  
Ph: 65 6273 2230

System Sensor India  
Ph: 91 124 2371770-270  
Fx: 91 124 2373118

System Sensor Australia  
Ph: 61-3-5428 1142  
Fx: 61-3-5428 1172