

# SAMPLING HOLE CLIPS

## ASPIRATING SMOKE DETECTION



When installing an Aspirating Smoke Detection (ASD) system, it is often almost impossible to identify the exact location of sampling point and more importantly, identify if the sampling hole is the correct size, creating unnecessary delays.

The VESDA Sampling Hole Clip delivers reliable and accurate sampling hole sizes that are fast to install and easy to locate and identify. Each clip is colour-coded to indicate a specific hole diameter providing an instant visual guide and removing the need for closer inspection. This is particularly beneficial during commissioning and maintenance processes in applications like warehouses or large open spaces.

The greatly simplified installation process helps deliver greater reliability in the correct setting of sampling hole size and a faster installation process. A 10mm (27/64") diameter drill bit is all that is required by an installer to create each sampling hole (rather than many different drill sizes) to which the Sampling Hole Clip attaches to. This can help deliver quality installation in projects where installation is sub contracted or the installer is not familiar with the impact of sampling hole size.

Use of a chamfered hole entry in the sampling hole clip design can help to reduce dust loading effects. Without using this type of technology, a build-up of dust around a standard drilled sampling hole is likely to occur, due to the friction created by the airflow through the sampling hole. By reducing dust loading effects and leveraging the additional protection provided by the pipe clips, sites can help increase system uptime and potentially extend service and testing intervals.

Unlike most contemporary solutions, the pipe clip is installation-ready (with no need for assembly, any additional parts or tools); clips are provided as a single ready-to-fit piece. The pipe clips are also available in two formats; Standard and Harsh Environment. Harsh Environment Clip variants feature a flexi-lip design that changes its shape when subjected to compressed air. This helps any ice, fibre or dust build-up on the supporting rubber structure be easily detached and broken up by the air jetstream out of the clip hole, providing additional protection in challenging locations like freezer applications.



Standard Clips

Harsh Environment Clips

### Features

- Pre-engineered sampling holes for faster, more efficient commissioning and installation
- Installation-ready design (with no part assembly or tools required); simply clicks into place for a firm, non-slip position
- Visual colour-coded guide to sampling point location and sampling hole size
- Greatly simplifies sampling hole drilling; a single 10mm drill bit for all holes (simply fit the relevant clip to set the hole size)
- Reduces dust loading effects through inclusion of a chamfered hole entry design, helping to increase uptime and potentially extends test intervals
- Two formats available: Standard and Harsh Environment
- Harsh Environment Clip variants feature a flexi-lip design to help reduce sampling hole contamination under high air pressure

# SAMPLING HOLE CLIPS

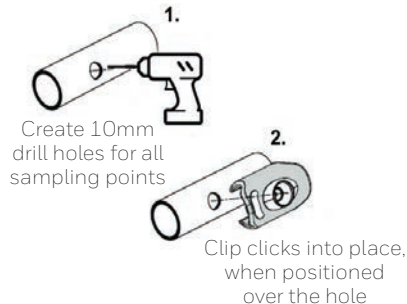
## TECHNICAL SPECIFICATIONS



### How it works

**Step 1:** Simply use a 10mm (27/64") drill bit to create all sampling holes.

**Step 2:** Fit the relevant colour-coded clip; place over the hole and secure in place by applying pressure until a "click" occurs.



A series of LEDs display Alarm, Trouble, Disable and detector power on status. A button allows the user to Reset or Disable the detector. Additionally, the VEA-A10 features a 3.5" LCD display which shows detector status.

- Clips are available ready-to-fit
- No part assembly required; one single system
- No special tools required
- Added hole blockage resistance through flexi-lip design (Harsh Environment Clips), that changes its shape when subjected to blow off pressure
- Clips do not slip and stay firmly in place due to easy click-fit technology
- Anti-pressure shock design that is ideal for automatic purge systems

### Specifications

Length	55 mm
Weight	11 g
Width	30.5 mm
Tube Outer Diameter	25 mm - 27 mm
Colour Body	RAL9005
Material	PC/ABS
Colour Rubber	Variable material TPE
Maximum Pipe Network Pressure	7 bar ( -30 °C +45 °C)
Application Temperature Range	-30 °C +45 °C*
Application Humidity Range	5% to 95% Relative Humidity

\* Application where ambient temperature will exceed 45°C may lead to clip sealing leakage up to 5%.

### Installation Information

In order to ensure full functionality, refer to the installation instructions as supplied.

### Ordering Information

Material Number	Main Color
<b>Standard Variant*</b>	
F-PC-0	ASD PIPE CLIP BLIND
F-PC-2	ASD SPL PT CLIP STD 2.0mm (5/64 inch)
F-PC-2.5	ASD SPL PT CLIP STD 2.5mm (6/64 inch)
F-PC-3	ASD SPL PT CLIP STD 3.0mm (1/8 inch)
F-PC-3.5	ASD SPL PT CLIP STD 3.5mm (9/64 inch)
F-PC-4	ASD SPL PT CLIP STD 4.0mm (5/32 inch)
F-PC-4.5	ASD SPL PT CLIP STD 4.5mm (11/64 inch)
F-PC-5	ASD SPL PT CLIP STD 5.0mm (13/64 inch)
F-PC-5.5	ASD SPL PT CLIP STD 5.5mm (7/32 inch)
F-PC-6	ASD SPL PT CLIP STD 6.0mm (15/64 inch)
F-PC-6.5	ASD SPL PT CLIP STD 6.5mm (1/4 inch)
<b>Harsh Environment*</b>	
F-PC-HE-2	ASD SPL PT CLIP HE 2.0mm (5/64)
F-PC-HE-2.5	ASD SPL PT CLIP HE 2.5mm (6/64)
F-PC-HE-3	ASD SPL PT CLIP HE 3.0mm (1/8)
F-PC-HE-3.5	ASD SPL PT CLIP HE 3.5mm (9/64)
F-PC-HE-4	ASD SPL PT CLIP HE 4.0mm (5/32)
F-PC-HE-4.5	ASD SPL PT CLIP HE 4.5mm (11/64)
F-PC-HE-5	ASD SPL PT CLIP HE 5.0mm (13/64)
F-PC-HE-5.5	ASD SPL PT CLIP HE 5.5mm (7/32)
F-PC-HE-6	ASD SPL PT CLIP HE 6.0mm (15/64)
F-PC-HE-6.5	ASD SPL PT CLIP HE 6.5mm (1/4)

Note: Colour coding assigned accordingly to IEC 60062 standard resistor code.

\*All parts are supplied as a single piece.