

HM-DMMI-UL, HM-MM3E-UL, HM-DCZRM-UL

ADDRESSABLE MONITOR MODULE



General

Three different monitor modules are available for fire alarm control panels – suiting a variety of applications. Monitor modules supervise a circuit of drycontact input devices, such as conventional heat detectors and pull stations, or to monitor and power two-wire smoke detector circuits.

HM-DMMI-UL is a standard-sized module (typically mounts to a 4”/10.16 cm square box) that supervises Class B circuit of dry contact input devices.

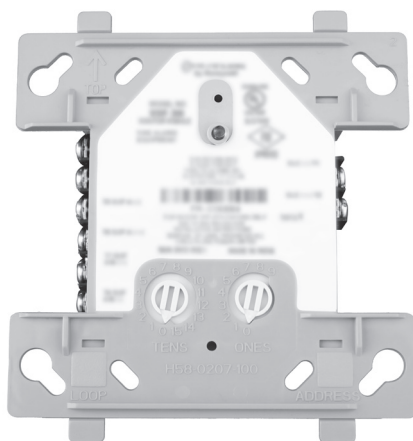
HM-MM3E-UL is a miniature monitor module – 1.3” (3.302 cm) H x 2.75” (6.985 cm) W x 0.65” (1.651 cm) D – that supervises Class B circuit of dry-contact input devices. Thanks to its compact design, the HM-MM3E-UL can be mounted in a single-gang box behind the device it monitors.

HM-DCZRM-UL is a standard-sized module used to monitor and supervise compatible two-wire, 24-Volt, smoke on a Class B circuit.

- Built-in type identification automatically identifies this device as a monitor module to the control panel
- Powered directly by two-wire SLC loop. No additional power required
- High noise (EMF/RFI) immunity
- SEMS screws with clamping plates for easy wiring
- Direct-dial entry of address: 61-99 for models SMX and STX
- LED flashes during normal operation and steadily illuminates to indicate alarm

The HM-DMMI-UL Monitor Module is intended for use in intelligent, two-wire systems, where the individual address of each module is selected using the built-in rotary switches. It provides either a two-wire or four-wire fault-tolerant Initiating Device Circuit (IDC) for normally open, contact fire alarm and supervisory devices. The module has a panel-controlled LED indicator.

HM-DMMI-UL Monitor Module



HM-DMMI-UL

HM-DMMI-UL Applications

Monitor a zone of four-wire smoke detectors, manual fire alarm pull stations, waterflow devices, or other normally open, drycontact alarm activation devices. Use it to monitor normally-open supervisory devices with special supervisory indication at the control panel. The monitored circuit may be wired as an NFPA (Class B) Initiating Device Circuit. A 47K Ohm end of line resistor (provided) terminates the Class B circuit.

HM-DMMI-UL Operation

Each HM-DMMI-UL uses one of the available module addresses on an SLC loop. It responds to regular polls from the control panel and reports its type and the status (open/normal/short) of its Initiating Device Circuit (IDC). A flashing LED indicates that the module communicates with the control panel. The LED steadily illuminates when an alarm starts (subject to current loop limitations).

Honeywell

HM-DMMI-UL, HM-MM3E-UL, HM-DCZRM-UL Technical Specifications

HM-DMMI-UL Specifications

Nominal operating voltage	15 to 32 VDC
Maximum SLC current draw	5.0 mA (LED on)
Maximum IDC wiring resistance	375 μ A (LED flashing), 1 communication every 5 seconds, 47k EOL
Maximum IDC wiring resistance	1500 Ohms
Maximum IDC Voltage	11 V
EOL resistance	47K Ohms
Temperature range	32°F to 120°F (0°C to 49°C)
Humidity range	10% to 93% non-condensing
Dimensions	4.5" (11.43 cm) high x 4" (10.16 cm) wide x 1.25" (3.175 cm) deep. Mounts to a 4" (10.16 cm) square x 2.125" (5.398 cm) deep box

The HM-MM3E-UL Min-Monitor Module can be installed in a single-gang junction directly behind the monitored unit. Its small size and light weight allow it to be installed without rigid mounting. The HM-MM3E-UL is intended for use in intelligent, two-wire systems where the individual address of each module is selected using rotary switches. It provides a two-wire initiating device circuit for normally open, contact fire alarm devices.

HM-MM3E-UL Applications

Use to monitor a single device or a zone of four-wire smoke detectors, manual fire alarm pull stations, waterflow devices, or other normally open, dry contact devices. Monitor normally-open supervisory devices with special supervisory indication at the control panel. Monitored circuit/device is wired as an NFPA Class B Initiating Device Circuit. A 47K Ohm end of line resistor (provided) terminates the circuit.

HM-MM3E-UL Operation

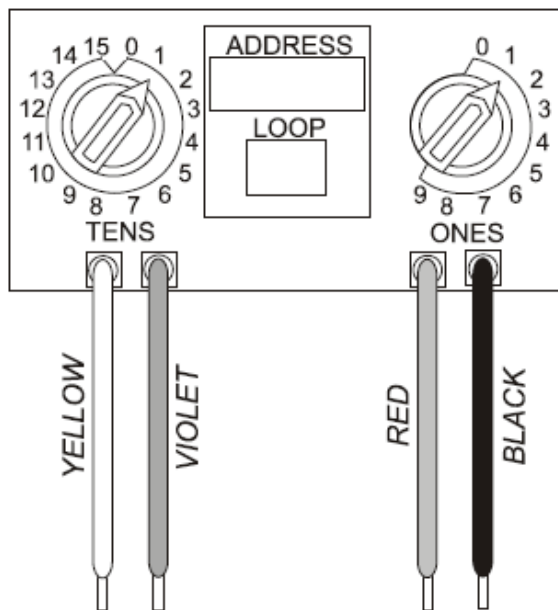
Each HM-MM3E-UL uses one of the available module addresses on an SLC loop. It responds to regular polls from the control panel and reports its type and the status (open/normal/short) of its Initiating Device Circuit (IDC)

HM-MM3E-UL Min-Monitor Module



HM-MM3E-UL

- Powered directly by two-wire SLC loop
No additional power required
- High noise (EMF/RFI) immunity
- Tinned, stripped leads for easy wiring
- Direct-dial entry of address:
61-99 for models SMX and STX

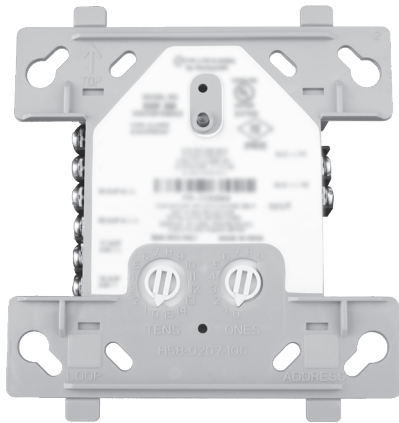


HM-MM3E-UL Specifications

Nominal operating voltage	15 to 32 VDC
Average operating current	350 A, 1 communication every 5 seconds, 47k EOL; 600 A Max. (Communicating, IDC Shorted)
Maximum IDC wiring resistance	1500 Ohms
Maximum IDC Voltage	11 V
Maximum IDC Current	450A
EOL resistance	47K Ohms
Temperature range	32°F to 120°F (0°C to 49°C)
Humidity range	10% to 93% non-condensing
Dimensions	1.3" (3.302 cm) high x 2.75" (6.985 cm) wide x 0.65" (1.651 cm) deep
Wire length	6" (15.24 cm) minimum

HM-DMMI-UL, HM-MM3E-UL, HM-DCZRM-UL Technical Specifications

: ? Ž65LD? ŽG> ; fVMSUM? aVgW



HM-DCZRM-UL

- Supports compatible two-wire smoke detectors
- Supervises IDC wiring and connection of external power source
- High noise (EMF/RFI) immunity
- SEMS screws with clamping plates for ease of wiring
- Direct-dial entry of address:
61 -99 for models SMX and STX
- LED flashes during normal operation
- LED steadily illuminates to indicate an alarm on command from the control panel

The HM-DCZRM-UL Interface Module is intended for use in intelligent, addressable systems, where the individual address of each module is selected using built-in rotary switches. This module allows intelligent panels to interface and monitor two-wire conventional smoke detectors. It transmits the status (normal, open, or alarm) of one full zone of conventional detectors back to the control panel. All two-wire detectors being monitored must be UL compatible with the module.

HM-DCZRM-UL Applications

Use the HM-DCZRM-UL to monitor a zone of two-wire smoke detectors. The monitored circuit may be wired as an NFPA Class B Initiating Device Circuit. A 3.9 K Ohm end of the line resistor (provided) terminates the end of the Class B circuit (maximum IDC loop resistance is 25 Ohms).

HM-DCZRM-UL Operation

Each HM-DCZRM-UL uses one of the available module addresses on an SLC loop. It responds to regular polls from the control panel and reports its type and the status (open/normal/short) of its Initiating Device Circuit (IDC). A flashing LED indicates that the module is in communication with the control panel. The LED steadily illuminates when an alarm is on (subject to current loop limitations).

HM-DCZRM-UL Specifications

Nominal operating voltage	15 to 32 VDC
Maximum current draw	5.1 mA (LED on)
Maximum IDC wiring resistance	25 Ohms
Average operating current	270 A, 1 communication and 1 LED flash every 5 seconds, 3.9k eol
EOL resistance	3.9K Ohms
External supply voltage (between Terminals T10 and T11)	<ul style="list-style-type: none"> • DC voltage: 24 V power limited • Ripple voltage: 0.1 Vrms maximum • Current: 90 mA per module maximum
Temperature range	32°F to 120°F (0°C to 49°C)
Humidity range	10% to 93% non-condensing
Dimensions	4.5" (11.43 cm) high x 4" (10.16 cm) wide x 1.25" (3.175 cm) deep. Mounts to a 4" (10.16 cm) square x 2.125" (5.398 cm) deep box

Installation

HM-DMMI-UL, and HM-DCZRM-UL modules mount directly to a standard 4" (10.16 cm) square, 2.125" (5.398 cm) deep, electrical box. They may also be mounted to the SMB500 surface mount box. Mounting hardware and installation instructions are provided with each module. All wiring must conform to applicable local codes, ordinances, and regulations. These modules are intended for power-limited wiring only.

The HM-MM3E-UL module is intended to be wired and mounted without rigid connections, inside a standard electrical box. All wiring must conform to applicable local codes, ordinances, and regulations.

Agency Listings and Approvals

Listing and approval below apply to the modules specified in this. In some cases, certain modules may not be listed by certain approval agencies, or listing may be in process. Consult factory for latest listing status.

- **UL:** S35595

HM-DMMI-UL, HM-MM3E-UL, HM-DCZRM-UL Technical Specifications

Product Line Information

HM-DMMI-UL	Addressable Monitor Module
HM-MM3E-UL	Addressable Min-Monitor Module
HM-DCZRM-UL	Addressable Interface Module

NOTE: See installation instructions CN-MN-0196, CN-MN-0197 and CN-MN-0198 and refer to the SLC Wiring Manual.

For more information,

<https://honeywellbuildings.in>

Call: 1-800-103-0339

Email: HBT-Indiabuildings@honeywell.com

Honeywell HBT India Buildings

Unitech Trade Center, 5th Floor, Sector-43,
Block C, Sushant Lok Phase - I,
Gurgaon - 122 002

www.honeywell.com

© 2020 Honeywell International Inc.

**HM-DMMI-UL, HM-MM3E-UL,
HM-DCZRM-UL
ADDRESSABLE MONITOR MODULE**

Honeywell